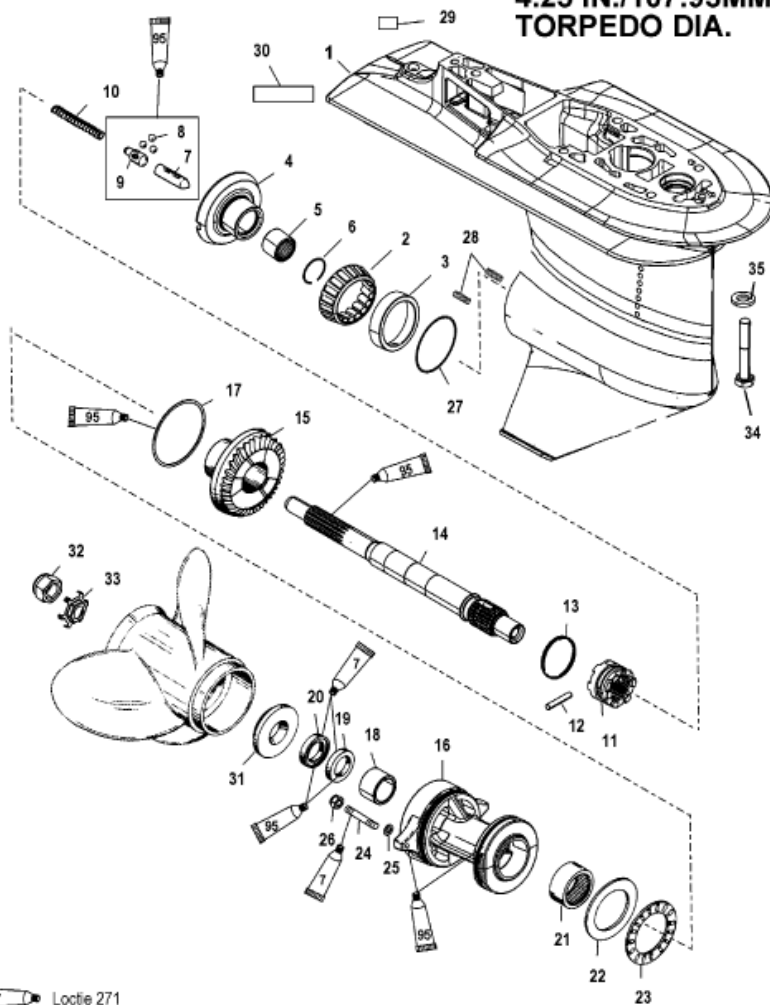


4.25 IN./107.95MM
TORPEDO DIA.

7 Loctite 271
95 Chemtool Duralube

Parts List

Ref	Class	Part	Description	Qty	Comment	Footnote
-	1667	9011G70	GEAR HOUSING	1	(COMPLETE)	
1	1667	9011G59	GEAR HOUSING ASSEMBLY	1	(BASIC)	
2	31	30894A 1	TAPERED ROLLER BEARING A	1		
3		NSS	CUP	1		
4	43	859472A 3	FORWARD GEAR (30 TEETH)	1		
5	31	30895T	ROLLER BEARING	1		
6	53	856823	RETAININGRING	1		
7		850315A 1	CAM FOLLOWER ASSEMBLY	1		
8	30	44530	BALL	3		
9		NSS	SLIDE	1		
10	24	850327	SPRING	1		
11	52	850048T	CLUTCH	1		
12	17	30632	CROSS PIN	1		
13	24	30893	SPRING	1		
14	44	850308	PROPELLER SHAFT	1		
15	43	850034T	REVERSE GEAR (30 TEETH)	1		
16		12596T 2	BEARING CARRIER ASSEMBLY	1		
17	25	97386	O-RING	1		15
18	31	30956T	ROLLER BEARING	1		
19	26	70080	OIL SEAL (INNER)	1		15
20	26	70081	OIL SEAL (OUTER)	1		15
21	31	12578T	ROLLER BEARING	1		
22	12	12577	THRUST WASHER	1		
23	31	12576	THRUST BEARING	1		
24	16	42917 2	STUD	2		
25	12	855941	WASHER	2		
26	11	40137 8	NUT	2		
27	15	44491A 1	SHIM SET	AR		
28		822773 1	THREAD INSERT	2		
29		NSS	DECAL	1		
30		NSS	DECAL-PROP OPERATION	1		
31		13191A 1	THRUST HUB ASSEMBLY	1		
32	11	52707Q 1	PROPELLER NUT ASSEMBLY SE	1		
33	14	816629	TAB WASHER	1		
34	10	40003 80	SCREW	4		
35	12	856774	WASHER	4		
-	26	43035A 4	GEAR HOUSING SEAL KIT	1		